

Cody
Swing Arm Sconce
6671

Project Name _____

Fixture Type _____

Quantity _____

Norwell | Lighting

ILEX

Custom Metalcraft

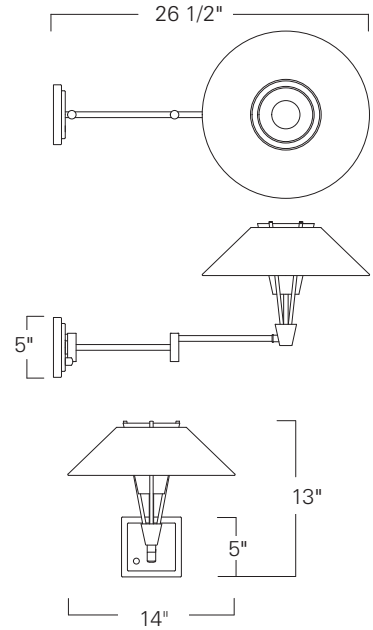


6671-AN-TW



6671-OB-TW

6671



Product Name / Model / Dimensions				Finish Options	Shade	Lamping Options
Cody Swing Arm Sconce 6671				Standard Antique Brass / AN Oil Rubbed Bronze / OB	Standard Textured White Shade / TW Shade 14" diameter	Standard Incandescent 1-60 Watt Medium Base Edison A19 Recommended
6671	Body Height 13"	Width 14"	Projection Swing arm extends to 26 1/2"			
Backplate 5 H X 5 W						

Damp Location and Rated UL/ETL Listed

REV-1-2023

DISCLAIMER:

Norwell Lighting and its companies, ILEX Architectural Lighting and Custom Metalcraft reserve the right to change specifications related to its product at anytime. USA Made indicates product is manufactured in East Taunton, Massachusetts facility. Phone: 508-823-1751