

Georgetown Sconces

8212
8213 ADA

Project Name _____

Fixture Type _____

Quantity _____

Norwell | Lighting

I L E X

Custom Metalcraft



Georgetown
8212-BN-WS

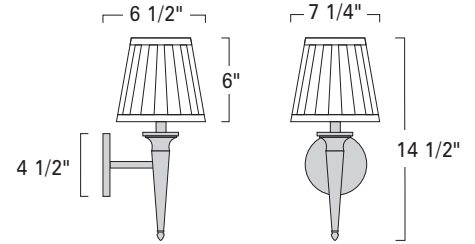


Georgetown
8212-PN-WS

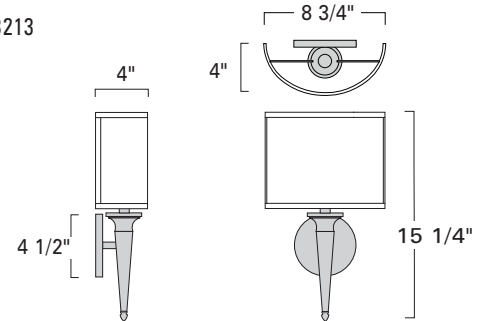


Georgetown ADA
8213-PN-WS

8212



8213



ADA

Product Name / Model / Dimensions				Finish Options	Glass Options	Lamping Options
Georgetown - 8212 Georgetown ADA - 8213				Standard Brushed Nickel / BN Polished Nickel / PN	Standard White Pleated Shade / WS ADA White Curved Shade / WS	Standard Incandescent / IN (1) 60 Watt Max Candelabra
	Height	Width	Projection			
8212	14.50"	6.50"	7.25"			
8213	15.25"	8.75"	4.00"			
Backplate 4.5" diameter						

Dry Location and UL/ETL Listed

10-2020

DISCLAIMER:

Norwell Lighting and its companies, ILEX Architectural Lighting and Custom Metalcraft reserve the right to change specifications related to its product at anytime. USA Made indicates product is manufactured in East Taunton, Massachusetts facility. Phone: 508-823-1751