

**Maggie Swing Arm**  
8471

Project Name \_\_\_\_\_

Fixture Type \_\_\_\_\_

Quantity \_\_\_\_\_

Norwell | Lighting

I L E X

**Custom Metalcraft**

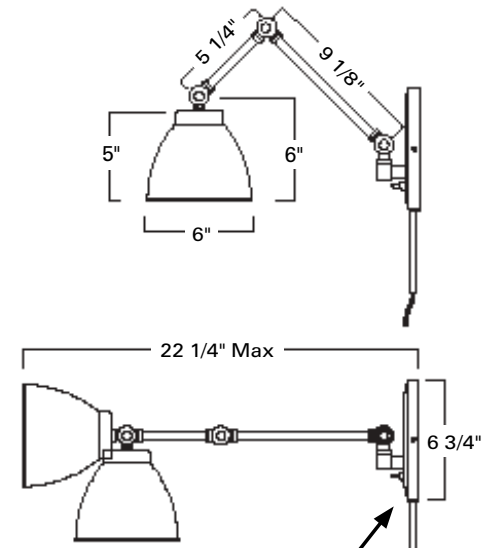


Maggie Swing Arm  
8471-AR-MS



Maggie Swing Arm  
8471-PW-MS

8471



Push button  
ON/OFF



Product Name / Model / Dimensions			Finish Options	Shade Options	Lamping Options
Maggie Swing Arm - 8471			<b>Standard</b> Architectural Bronze / AR Pewter / PW	<b>Standard</b> Metal Shade / MS  5" H x 6" W Painted White Inside	<b>Standard</b> Incandescent / IN (1) 60 Watt Max Edison
Height	Max Width	Projection			
6.75"	22.25"	Adjustable			
Backplate 6.75" H X 4.25" W					

Damp Location and UL/ETL Listed

2-2023

**DISCLAIMER:**

Norwell Lighting and its companies, ILEX Architectural Lighting and Custom Metalcraft reserve the right to change specifications related to its product at anytime. USA Made indicates product is manufactured in East Taunton, Massachusetts facility. Phone: 508-823-1751