

Maggie Swing Arm
8471

Project Name _____

Fixture Type _____

Quantity _____

Norwell | Lighting

I L E X

Custom Metalcraft

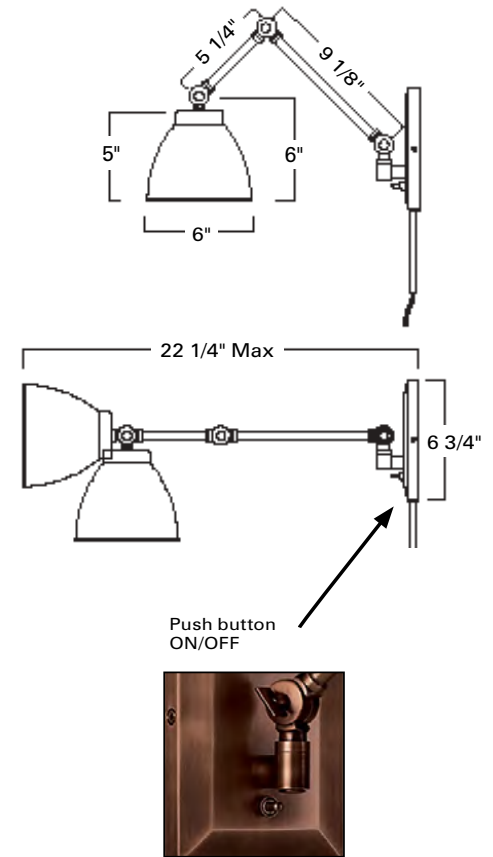


Maggie Swing Arm
8471-AR-MS



Maggie Swing Arm
8471-PW-MS

8471



Product Name / Model / Dimensions			Finish Options	Shade Options	Lamping Options
Maggie Swing Arm - 8471			Standard Architectural Bronze / AR Pewter / PW	Standard Metal Shade / MS 5" H x 6" W Painted White Inside	Standard Incandescent / IN (1) 60 Watt Max Edison
Height	Max Width	Projection			
6.75"	22.25"	Adjustable			
Backplate 6.75" H X 4.25" W					

Damp Location and UL/ETL Listed

2-2023

DISCLAIMER:

Norwell Lighting and its companies, ILEX Architectural Lighting and Custom Metalcraft reserve the right to change specifications related to its product at anytime. USA Made indicates product is manufactured in East Taunton, Massachusetts facility. Phone: 508-823-1751