

# Audrey Swing Arm Sconce

8478

Project Name \_\_\_\_\_

Fixture Type \_\_\_\_\_

Quantity \_\_\_\_\_

Norwell Lighting

ILEX

Custom Metalcraft

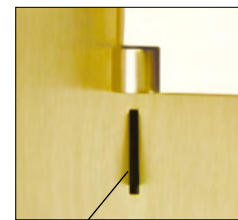
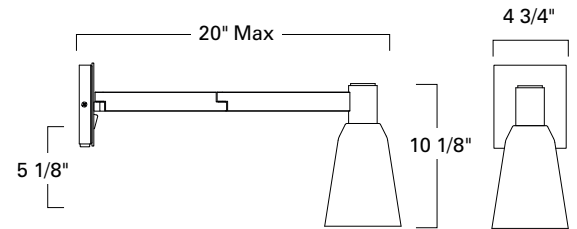
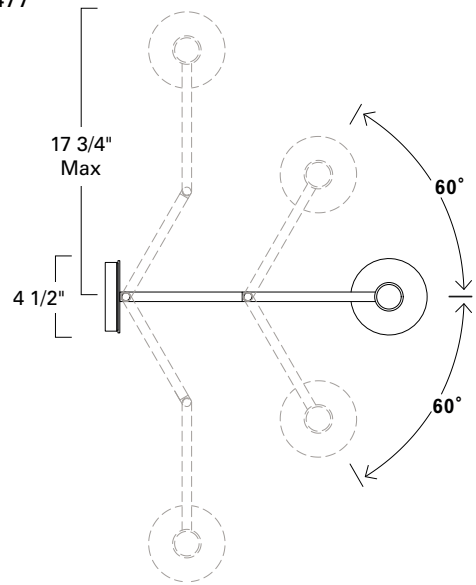


Audrey  
Satin Brass with  
Gold Chrome Glass  
8478-SB-GC



Audrey  
Matte Black with  
Black to Clear Glass  
8478-MB-BC

8477



Product has discrete ON/OFF switch on backplate. Ships with plug and cord or can be hard wired

**LED**

Product Name / Model / Dimensions			Finish Options	Diffuser	Lamping Options
Audrey Swing Arm Sconce - 8478			Standard Satin Brass (SB) Matte Black (MB)	Standard Gold Chrome (GC) Glass; Satin Brass finish  Black to Clear (BC) Glass; Matte Black finish	Standard LED Medium Base Edison 8 Watt, 120v T6 Recommended
Height	Width	Adjustable Projection			
10 1/8"	4 3/4"	up to 20"			
Available with cord and plug or hard wire.					
Backplate 5 1/8" H x 4 1/2" W					

UL/ETL Listed and Dry Location Rated

1-2022

**DISCLAIMER:**

Norwell Lighting and its companies, ILEX Architectural Lighting and Custom Metalcraft reserve the right to change specifications related to its product at anytime. USA Made indicates product is manufactured in East Taunton, Massachusetts facility. Phone: 508-823-1751