

Abbot
9645

Project Name _____

Fixture Type _____

Quantity _____

Norwell | Lighting

I L E X

Custom Metalcraft

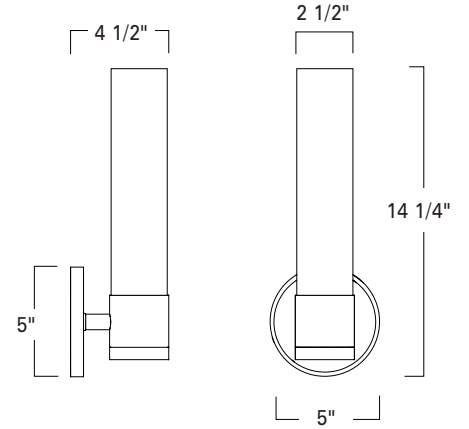


Abbot
9645-BN-SO



Abbot
9645-CH-SO

9645



LED

Product Name / Model / Dimensions	Finish Options	Glass Options	Lamping Options						
Abbot - 9645 <table border="1"> <tr> <th>Height</th> <th>Width</th> <th>Projection</th> </tr> <tr> <td>14.25"</td> <td>5.00"</td> <td>4.50"</td> </tr> </table> Backplate 5.00" diameter	Height	Width	Projection	14.25"	5.00"	4.50"	Standard Brushed Nickel / BN Chrome / CH	Standard Shiny Opal / SO	Standard LED / LED 1720 lm 3000K CCT *dimmmable *Refer to Norwellinc.com for LED Specifications
Height	Width	Projection							
14.25"	5.00"	4.50"							

Damp Location and UL/ETL Listed

10-2020

DISCLAIMER:

Norwell Lighting and its companies, ILEX Architectural Lighting and Custom Metalcraft reserve the right to change specifications related to its product at anytime. USA Made indicates product is manufactured in East Taunton, Massachusetts facility. Phone: 508-823-1751