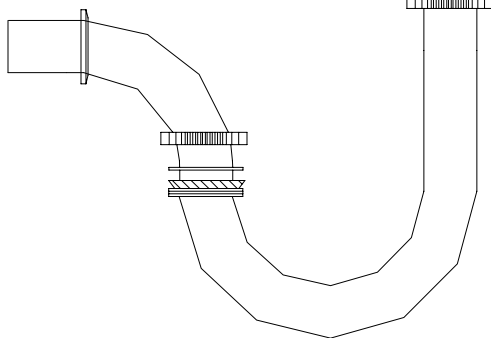
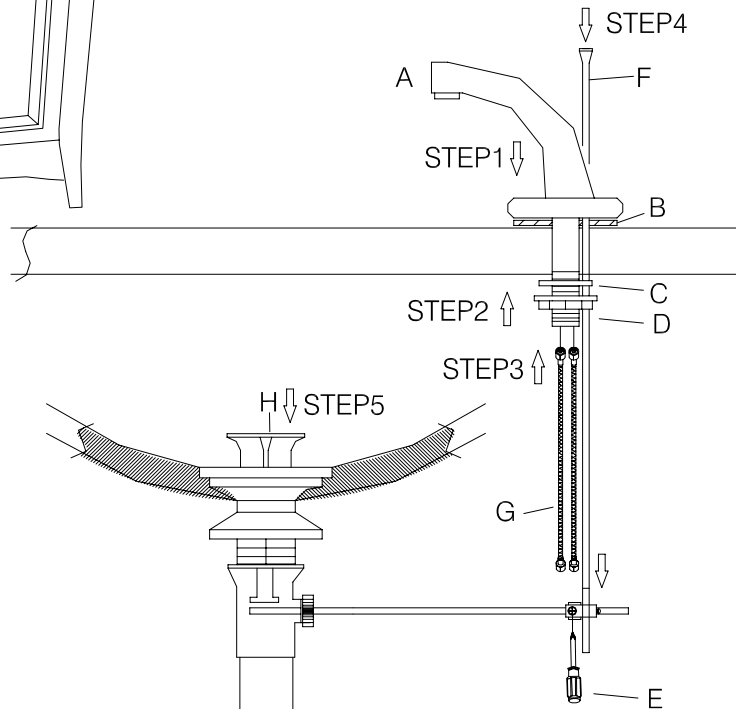




Assembly instructions

Stein World, LLC. Item No.: 11453



ASSEMBLY COMPONENTS

A		FAUCET	1PC
B		WASHER	1PC
C		WASHER	2PCS
D		LOCK NUT	2PCS
E			1PC
F		ROD	1PC
G			2PC
H		STOPPER	1PC