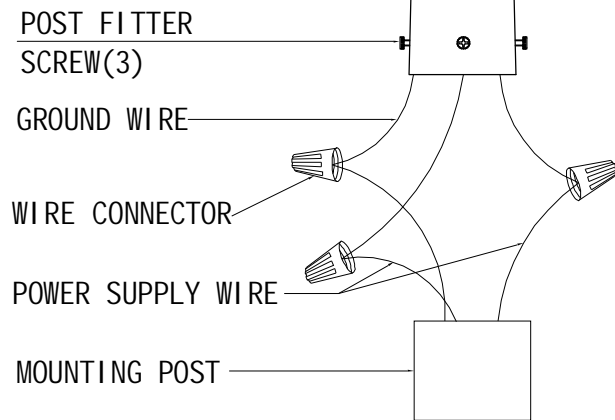
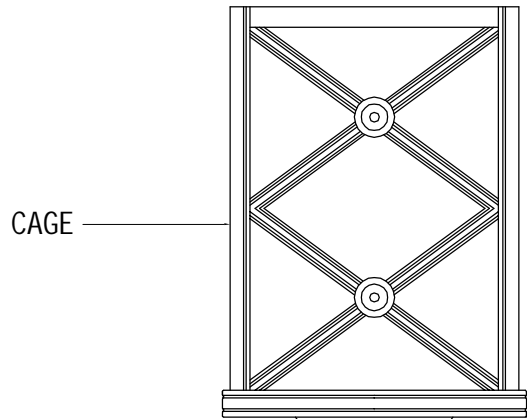
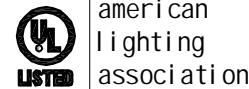
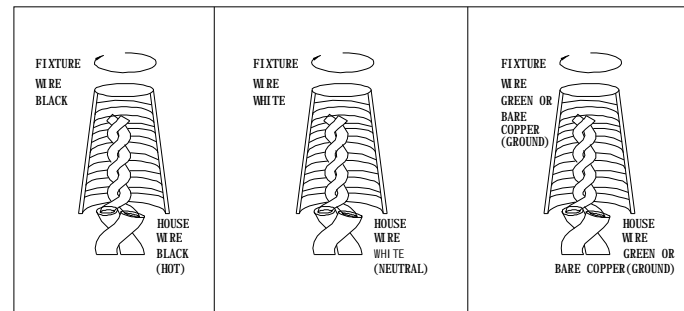


BULB INSTALLATION OR REPLACEMENT

1. REMOVE THE TOP COVER AFTER RELEASE THE SCREWS.
2. INSTALL BULBS.
3. REPLACE THE TOP COVER THEN TIGHTEN WITH THE SCREWS.



42134/1



POST MOUNT